



Cellwood Machinery  
FOR BETTER PULP AND PAPER

# KRIMA Screw Press TYPE KSR



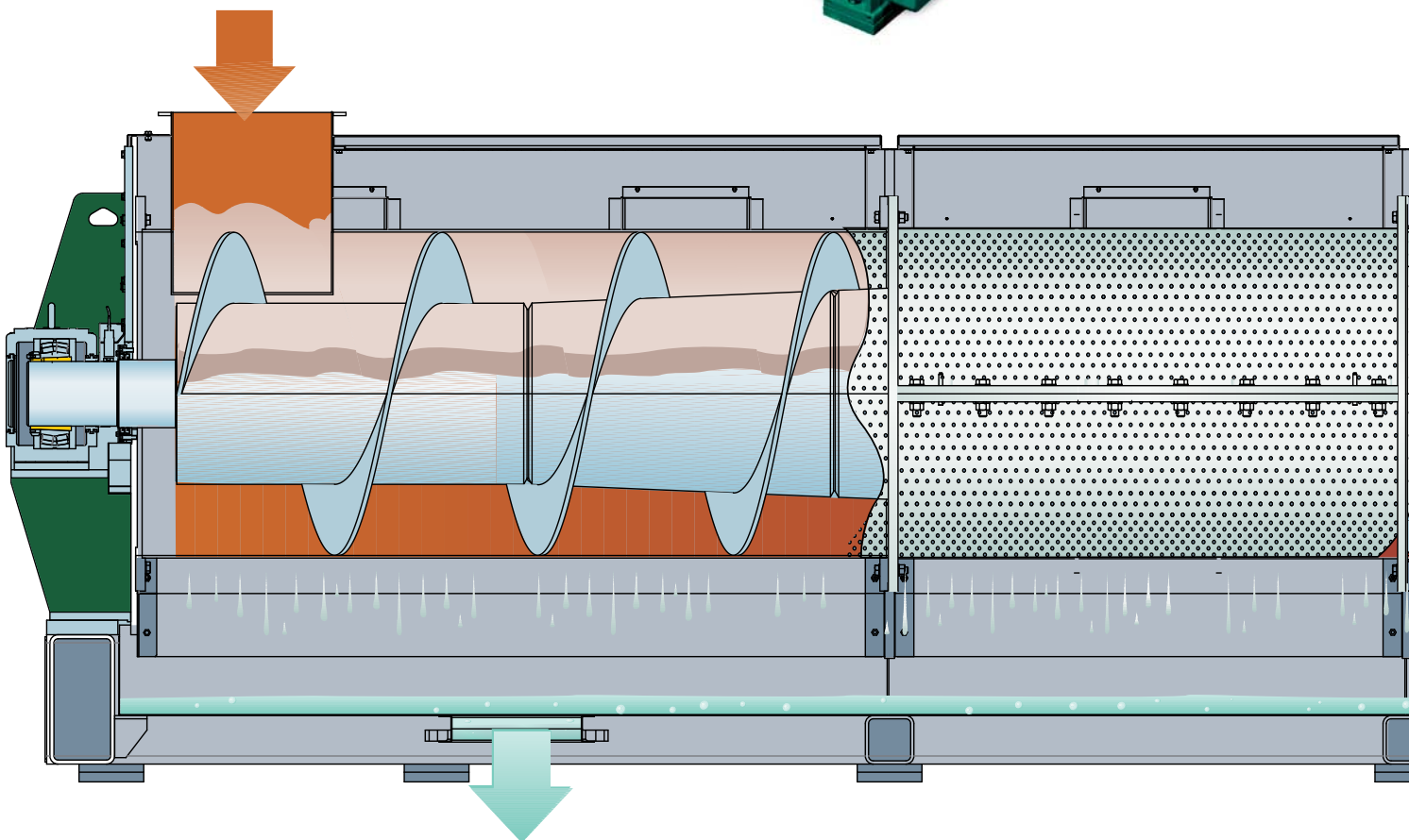
**KRIMA**

CELLWOOD  
MACHINERY

# KRIMA Screw Press

## TYPE KSR

The development of our screw press type ksr, for inlet consistencies down to as low as 3 %, is based on our experience of delivering a large number of screw presses.



# ADVANTAGES WITH THE KRIMA SCREW PRESS KSR:

- Good dewatering and uniform discharge consistency due to thin pulp cake.
- Blockage free discharge due to pneumatic counter pressure plate.
- Low wear due to low operation speed.
- Low wear on screw flanges due to wear discs.
- Good accessibility during maintenance due to horizontally split screen baskets and a screw with dismantable drive shaft.
- The screen baskets of the press have good accessibility for inspection and cleaning due to the external covers that can be dismantled easily by hand.



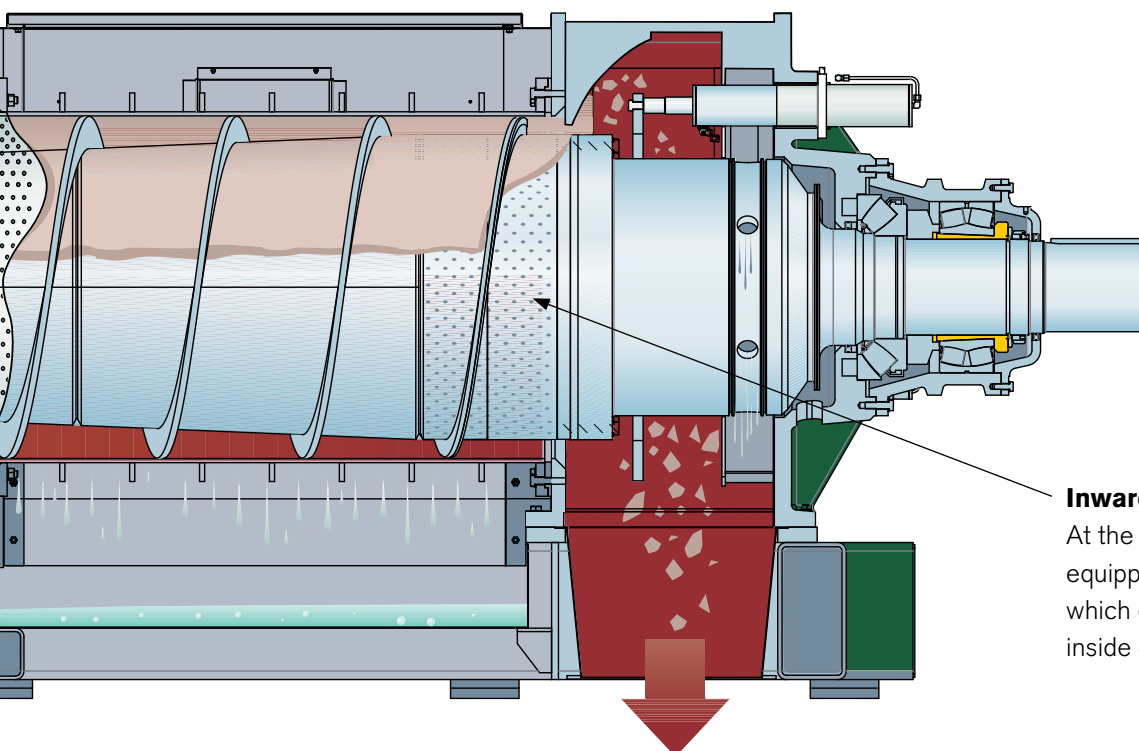
## High pressure screen at discharge

The screen baskets at the discharge are equipped with additional reinforcement.



## Blockage free discharge

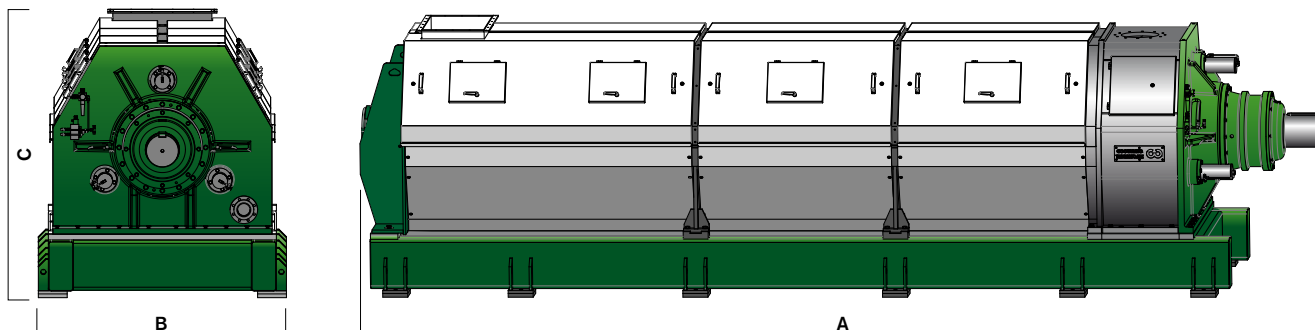
A pneumatically adjustable counter pressure plate ensures that the discharge consistency can be optimised.



## Inwards dewatering

At the discharge the screw is equipped with a screen plate which effectively dewateres the inside of the pulp cake.

# TECHNICAL DATA



TYPE	Production	A	B	C	Weight (ton)
KSR 1000 SL	500 TPD	9285	1980	2070	17.7
KSR 1000 L	500 TPD	7685	1980	2070	15.0
KSR 1000	500 TPD	6085	1980	2070	13.0
KSR 750 SL	300 TPD	7500	1660	1705	11.1
KSR 750 L	300 TPD	6285	1660	1705	9.7
KSR 750	300 TPD	5085	1660	1705	8.4
KSR 550 SL	150 TPD	5755	1310	1420	6.0
KSR 550 L	150 TPD	4855	1310	1420	5.4
KSR 550	150 TPD	3955	1310	1420	5.0
KSR 400 SL	60 TPD	4680	1200	1180	3.3
KSR 400 L	60 TPD	3980	1200	1180	2.9

All dimensions in mm.

## Capacity information

The Krma Screw press type KSR is used for different types of material therefore the dewatering area and the size of screw press have to be calculated individually based on, inlet and outlet consistency, freeness, type of pulp, PH and temperature.



**Cellwood Machinery**  
FOR BETTER PULP AND PAPER

Cellwood Machinery AB • Box 65 • 571 21 Nässjö, Sweden • Tel +46 380 76000 • Fax +46 380 14123  
Visiting Address • Storgatan 53 • 571 32 Nässjö, Sweden • E-mail sales@cellwood.se • www.cellwood.se